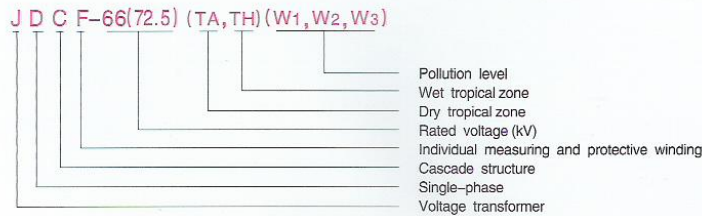


## JDCF-66(72.5)(TA,TH)(W<sub>1</sub>,W<sub>2</sub>,W<sub>3</sub>) Voltage Transformer

### ■ Type description



### ■ Purpose

It is outdoor, single phase and oil immersed inductive voltage transformer, which is used for metering and relay protection of 66kV, 50 or 60Hz system.

### ■ Standards

IEC Standard: IEC 60044-2 《Inductive Voltage Transformer》

National Standard: GB1207 《Voltage Transformer》

GB311.1 《Insulation co-ordination for high voltage transmission and distribution equipment》

### ■ Service condition

Ambient temperature: -40~+40℃

Altitude: less than 1000m

Environment pollution level: II、III、IV

### ■ System condition

System Rated Voltage: 66kV

System Highest Voltage: 72.5kV

System Rated frequency: 50Hz or 60Hz

System neutral earthing method: Non-effectively earthed

### ■ Structure feature

- It is cascade structure, which the primary winding has two grade windings surrounded on each limbs of one single phase two-limb core. The insulation consists of high voltage cable paper, phone paper and cardboard etc., Which will be immersed with transformer oil after desiccating under vacuum. It has advantages of stable and reliable performance of insulation, rich successful experience, a long life time and convenient maintenance.

- Perfect fluidity performance of transformer oil is good for heat dissipation, it also has self recover ability for the failure of partial discharge caused by air bubble and dust.

- It has three secondary windings, which has individual measuring and protection winding.

- Hermetically sealed stainless steel metallic bellows is installed on the top, which protect the transformer oil from moisture and extend the life time, also there is a oil level gauge on the bellows for observing the changing of oil volume.

- There is a multi function oil drain valve on the base, which make it more convenient for sampling draining and refilling.

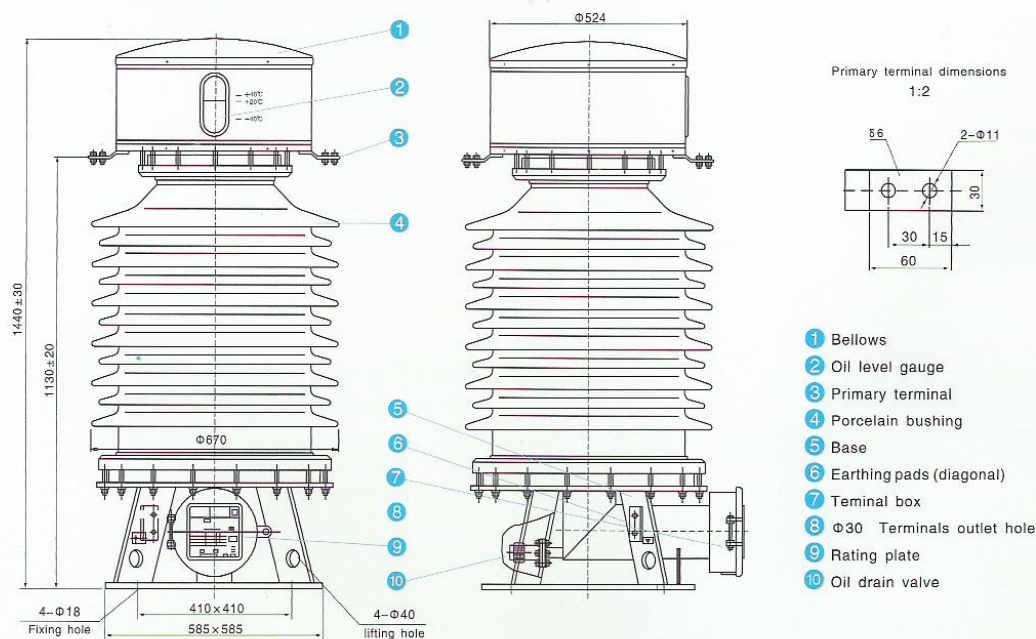
- The secondary terminal board is made of epoxy casting, the seal performance is more reliable.

- The base use DACRAL (Zinc/chormate coatings) for resistance to corrosion, which gives a high degree of corrosion resistance.

### Technical data

Rated voltage	66/3kV			
Highest voltage for equipment	72.5/3kV			
Rated frequency	50or 60Hz			
Rated transformation ratio	$\frac{66}{\sqrt{3}} / \frac{0.1}{\sqrt{3}} / \frac{0.1}{\sqrt{3}} / \frac{0.1}{3}$ kV; $\frac{66}{\sqrt{3}} / \frac{0.11}{\sqrt{3}} / \frac{0.11}{\sqrt{3}} / \frac{0.11}{3}$ kV;			
Accuracy and rated output	Secondary terminal marking	1a-1n	2a-2n	da-dn
	Accuracy	0.2	0.5	3P or 0.5
	Rated output	100	250	300
Thermal limiting output	2000VA			
Rated voltage factor	1.2, times continuous; 1.9 times 8h			
Partial discharge, under 1.2Um/3kV	≤5pC			
Dielectric dissipation factor tgδ, under 10kV	Product tgδ ≤0.02; frame tgδ ≤0.05			
External insulation creepage distance(mm)	W1/1500mm W2/1820mm W3/2250mm			
Power frequency withstand voltage on primary windings	140(160)kVrms			
Rated lightning impulse withstand voltage	325(350)kVpeak			
Power frequency withstand voltage between primary winding "N" terminal to earth	5kVrms			
Power frequency withstand voltage between secondary windings and to earth	3kVrms			
Mechanical strength (three direction)	2000N			
Oil weight/Product weigh	90/530kg			

### Outline drawing



Add: Meichi Industrial Zone, Yunlong town, Ningbo City, zhejiang Pronice, P.R.China [HTTP://www.top-electric.com](http://www.top-electric.com)

TEL: +86 (574) 88079260

FAX: +86 (574) 88079270

E-MAIL: huayuan@top-electric.com