

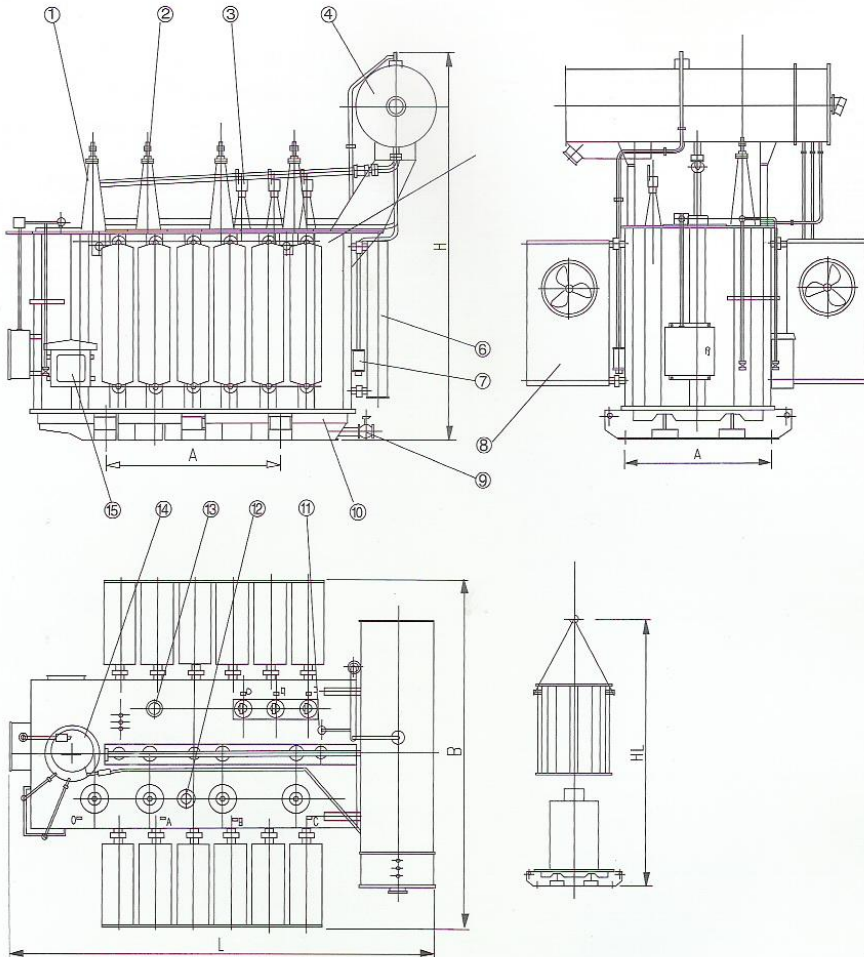
SZ9-33KV

Technical Data Sheet of 33KV Class, Three-Phase Two-winging, On-Load, tap-Changing Power Transformer With Low-Loss and Low-Noise

Type	(KVA) Rated Capacity	(KV) Rated Voltage	Conne- tion symbol	(KW) Loss		No-Load Current (%)	Impe- dance Voltage (%)	Dimensions (mm)			Weight (Kg)			Base-ment Centanal Distance (mm)	Sling Height HL (mm)
				No- Load	Load			L	W	H	Total	Oil	Body		
SZ9															
630/33	630	H.V		1.11	8.78	1.3		2580	2200	1200	3280	930	1450		6020
800/33	800	33;		1.32	10.49	1.2		2640	2400	1250	4740	1010	1980		6300
1000/33	1000	33		1.54	12.88	1.2		2780	2500	1300	4980	1090	2070	820	6680
1250/33	1250	$\pm 3\%2.5\%$	Yyn0	1.88	15.55	1.1	6.5	2820	2550	1250	5270	1270	2800		6800
1600/33	1600	or $\pm 4\%2.5\%$		2.26	17.16	1.1		3030	2600	1360	5920	1490	2950		6910
2000/33	2000	LV.0.4		2.88	18.72	1.0		3040	2660	1460	7270	1880	3390	1070	7020
2500/33	2500			3.40	21.74	1.0		3245	2675	2320	8340	2050	3985		7130
SZ9-															7290
630/33	630	H.V		1.11	8.78	1.3		2610	2300	1100	3870	1070	1870		7460
800/33	800	33;		1.32	10.49	1.2		2700	2340	1280	3820	1095	1915		7680
1000/33	1000	33		1.54	12.88	1.2	6.5	2810	2410	1340	4010	1110	2210	820	8200
1250/33	1250	$\pm 3\%2.5\%$	Yd11;	1.88	15.55	1.1		2930	2470	1370	5010	1220	2410		
1600/33	1600	or $\pm 4\%2.5\%$	Dy11	2.26	17.16	1.1		3050	2480	1385	5940	1480	2880		5890
2000/33	2000	LV.0.4		2.88	20.3	1.0		3080	2765	1420	6840	1820	3350		5970
2500/33	2500			3.40	21.74	1.0		3120	2870	1440	6960	2030	3760		6110
3150/33	3150			4.04	26.01	0.9		3200	2900	2700	7100	2320	4700	1070	6430
4000/33	4000			4.84	30.69	0.9	7.0	3300	2930	2750	10780	2530	5240		6690
5000/33	5000			5.8	36.0	0.85		3450	3025	2800	12200	2820	6080		6930
6300/33	6300			7.04	38.70	0.85		3460	3350	2980	13900	3110	7385		7080
8000/33	8000	L.V.		9.84	42.75	0.75	7.5	3800	3410	3100	15200	3200	9060		7200
10000/33	10000	3.15;		11.60	50.58	0.75		4050	3580	3150	18900	3680	10536		7380
12500/33	12500	6.3,15	YNd11;	13.68	59.85	0.7		4320	3710	3200	21010	4200	12700		7450
16000/33	16000	10.5,11	Dyn11	16.26	73.50	0.7		4600	3800	3250	26000	5100	15600	1475	7700
20000/33	20000			19.26	88.75	0.65	8.0	4800	4030	3280	30400	6710	18260		8090
25000/33	25000			22.77	104.95	0.65		4900	4100	3310	34500	7100	19720		8400
31500/33	31500			27.05	125.95	0.65		5100	4270	3420	37600	7800	20300		8700

SZ9-33KV

Outline Drawing of 33KV Class, Three-Phase Two-winding, On-Load, tap-Changing Power Transformer With Low-Loss and Low-Noise



● **ORDER**

You are kindly requested to inform us the following items for orders:

1. Title
2. Type
3. Rated Capacity
4. H.V. Voltage, And tapping Voltage Range
5. L.V. Voltage
6. Impedance Voltage
7. Connection Symbol
8. Cooling Model
9. Special request

1. H.V. zero bushing
2. H.V. bushing
3. L.V. bushing
4. Conservator
5. Uper tank
6. Oil clarifier
7. Dryer
8. Radiator

9. Oil relief valve
10. Under tank
11. Earthing bushing
12. Press relief device
13. Oil drain valve
14. Tapping
15. Terminal box

Add: Meichi Industrial Zone, Yunlong town, Ningbo City, zhejiang Pronice, P.R.China [HTTP://www.top-electric.com](http://www.top-electric.com)

TEL: +86 (574) 88079260

FAX: +86 (574) 88079270

E-MAIL: huayuan@top-electric.com